

## S P E C I F I C A T I O N S



### SYSTEM SPECIFICATIONS

**Material:**

Alloy steel plate

**Finish:**

Powder coat paint

**Color:**

Black

**Working Load:**

60 lbs.max

**Design Factor:**

10:1 ratio

**Pack Count:**

2 bracket/carton

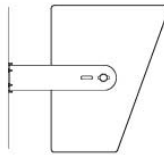
**Hardware Kit:**

Includes an assortment of 1/4", 5/16" and 3/8" hardware plus 1/8", 1/4", and 9/16" thick sound isolation gaskets.

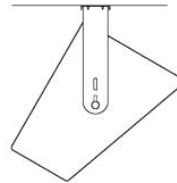
Fixed width mounting arms mount loudspeakers quickly and reliably to walls, ceiling, balconies, overhangs and other structural mounting surfaces. Loudspeakers can be rotated within the arms of the U-bracket to aim sound in a desired direction then locked into position.

Standard features allow speakers to be suspended from trusses, bars, beams, threaded rods and cable assemblies. In addition, allowances are made for mounting and aiming speakers from atop tripods and microphone stands, as well as suspended from a threaded rod.

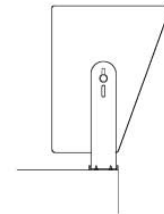
For permanent anchoring into studs, mounting holes are placed on centers. Side arm slots increase the bracket's range of installations and isolation gaskets are included to isolate sound from walls, ceilings, and to protect speaker finishes.



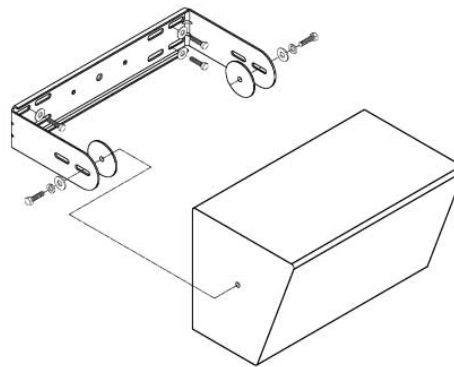
Wall Mounted



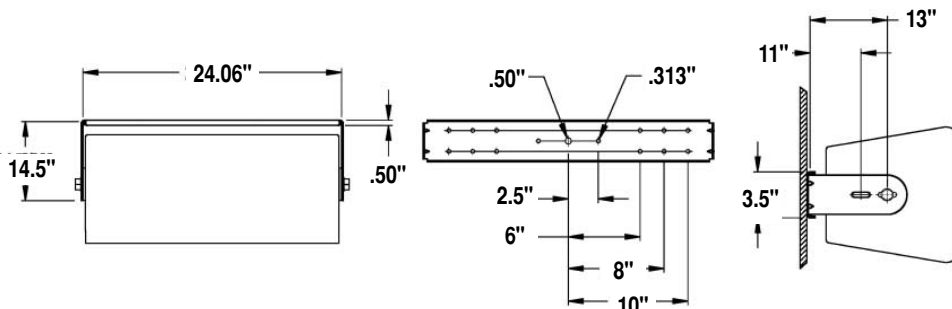
Ceiling Mounted



Deck Mounted



Fixed mounting arms assembly with optional cover plate.



**BAG END Loudspeakers**  
 22272 Pepper Road  
 Barrington, Illinois  
 60010 USA  
 Voice 847 382 4550  
 Fax 847 382 4551  
 www.bagend.com

