



#### SYSTEM COMPONENTS

**Enclosure:**

18 mm 13-ply birch plywood

**Low Frequency Transducer:**

18" Cone  
3" Voice coil  
95 oz. Magnet

**Mid Frequency Transducer:**

12" Cone  
2.5" Voice coil  
80 oz. Magnet

**High Frequency Transducer:**

1" Exit compression driver  
1.8" Titanium diaphragm  
15 oz. Magnet  
Radial horn

**Input Connectors:**

Cinch 142 screw terminal  
barrier strip

**Grille:**

16 Gauge black vinyl  
coated perforated steel

**Optional Hardware:**

Rigging points

#### ACOUSTIC AND ELECTRICAL

**System Type:**

3-way  
Low section 5.5 ft<sup>3</sup> vented  
Mid section 1.0 ft<sup>3</sup> sealed

**Impedance:**

4 Ω

**Crossover Network:**

Passive Time-Align® equalizer  
type at 2.5 kHz and 125 Hz

**Time Offset Between Drivers:**

< ± 25 Microseconds

**Frequency Response:**

40 Hz to 20 kHz ±3 dB  
(4π Steradians)

**Sensitivity:**

101 dB SPL (1W @ 1m)

**Dispersion:**

80° Horizontal (-6 dB)  
60° Vertical (-6 dB)  
(Horn may be rotated 90° for  
a 60° H x 80° V dispersion)

**Power Handling:**

300 W continuous sine wave  
1200 W instantaneous peak

#### PHYSICAL

**Finish:**

Black paint

**Dimensions:**

43" h x 22" w x 18" d  
110 cm x 56 cm x 46 cm

**Weight:**

124 lbs.  
57 kg

**Shipping Dimensions:**

20" x 45" x 25"  
51 cm x 115 cm x 64 cm

**Shipping Weight:**

136 lbs.  
62 kg

#### APPLICATIONS:

**Auditorium Sound Reinforcement**

**Church Sound Reinforcement**

**Home Theater**

**Nightclub Applications**

**AF1A-I** The AF1A-I is a permanent installation wide range loudspeaker system offering both high fidelity and high efficiency. The Time-Aligned studio quality sound provides detail and clarity not found in other designs. Rugged birch plywood finished with black paint and a black steel grille will fit nicely into almost any application. Optional flying attachment points allow for safe and convenient rigging.

**About Time-Align®** Time-Align® assures that the fundamental and overtones of a complex, transient, acoustical signal are presented to the listener in the same relationship as the electrical signal at the input terminals of the loudspeaker.

The conventional loudspeaker spreads out the sound in time: when a rapid series of transients occur the results are blurring and lost detail. With Time-Align®, a transient is presented as a tight package of energy, with the same time relationships as the natural sound. This means that a rapid series of transients will be heard clearly.

True Time-Alignment™ requires much more than just physically lining up the loudspeaker components. It requires consideration of the driver placement, driver delay and adjustment of the crossover delay parameters. This achieves the precise simultaneous acoustical arrival time of each driver throughout the crossover region.

Along with state-of-the-art laboratory instruments, the proprietary Time-Align® generator, built by Ron Wickersham, is used in designing our loudspeaker systems. The Time-Align® generator is founded upon different underlying mathematical principles than are used in the more common Fourier based measurement equipment.

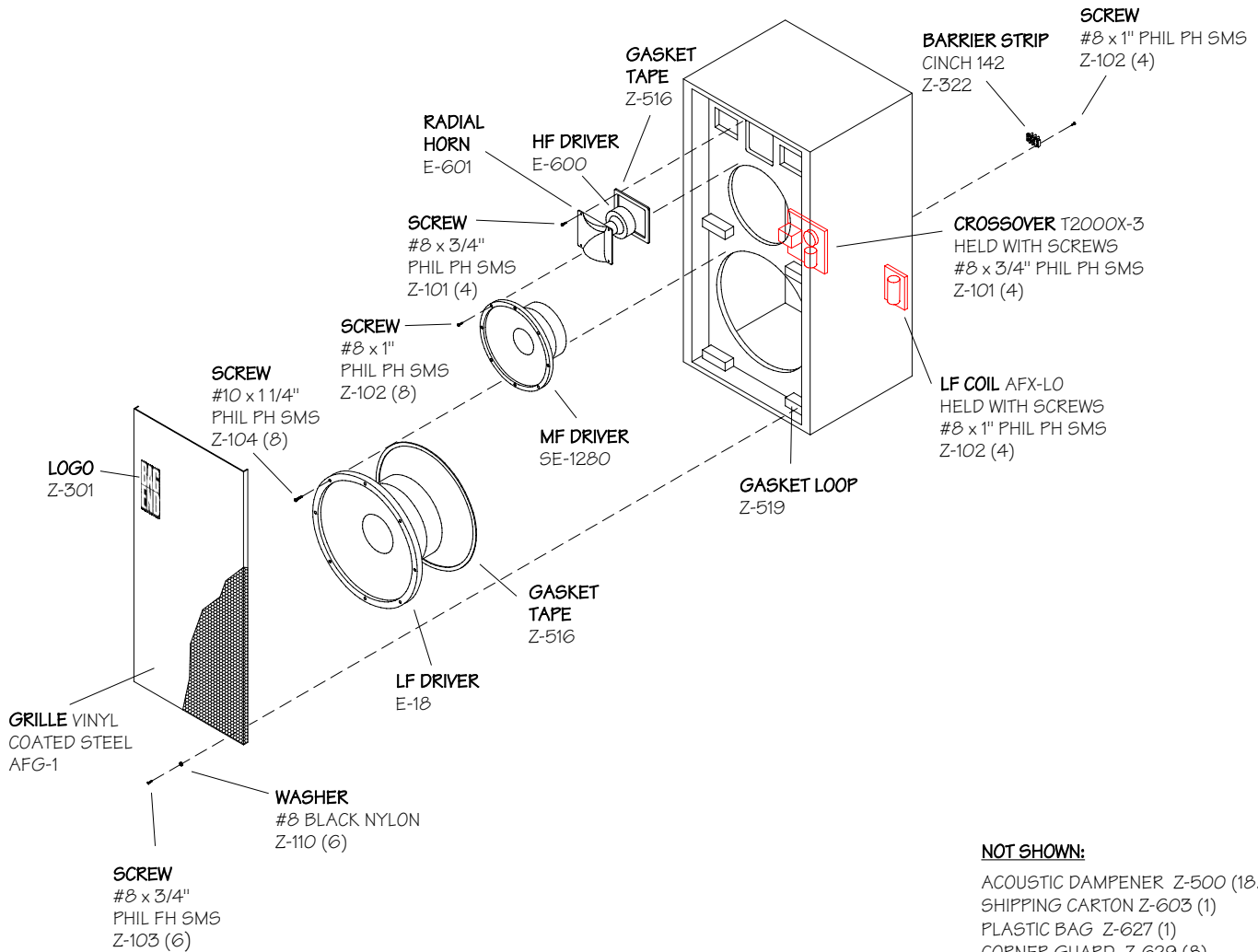
When comparing a genuine BAG END Time-Aligned™ speaker system to any other, our additional design work is easy to hear and appreciate. The dramatic clarity, realism, and overall pleasant sound of our Time-Aligned™ loudspeakers is noted throughout the world.

**BAG END Loudspeakers**  
22272 Pepper Road  
Barrington, Illinois  
60010 USA  
Voice 847 382 4550  
Fax 847 382 4551  
www.bagend.com





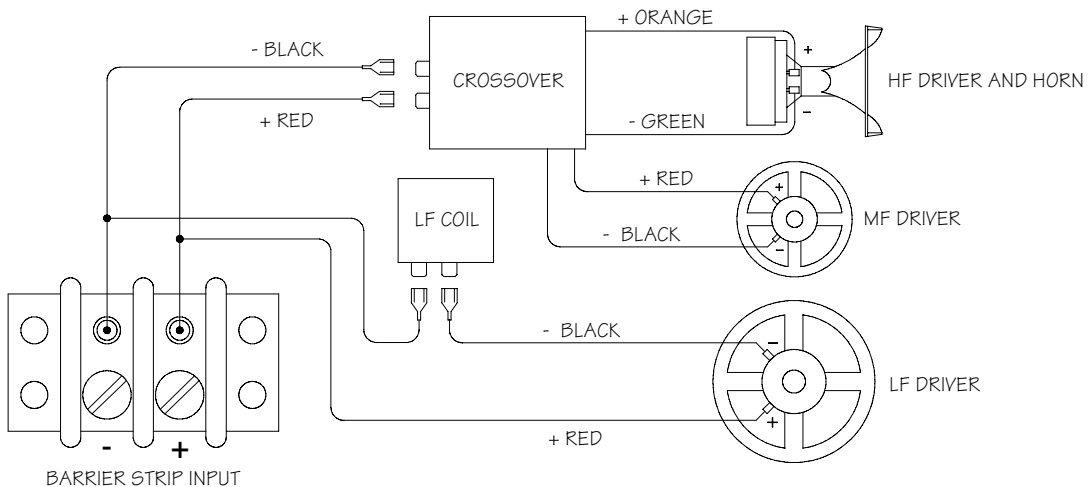
# AF1A-I



**NOT SHOWN:**

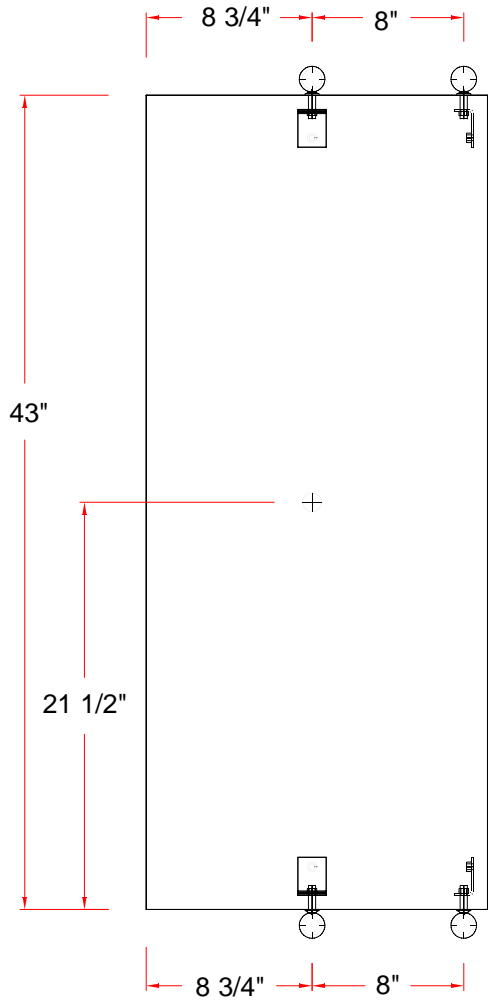
- ACOUSTIC DAMPENER Z-500 (18.5)
- SHIPPING CARTON Z-603 (1)
- PLASTIC BAG Z-627 (1)
- CORNER GUARD Z-629 (8)
- EDGE GUARD Z-630 (32)

## SYSTEM SCHEMATIC

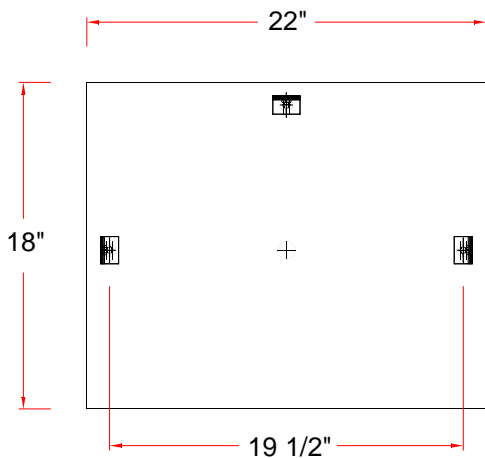
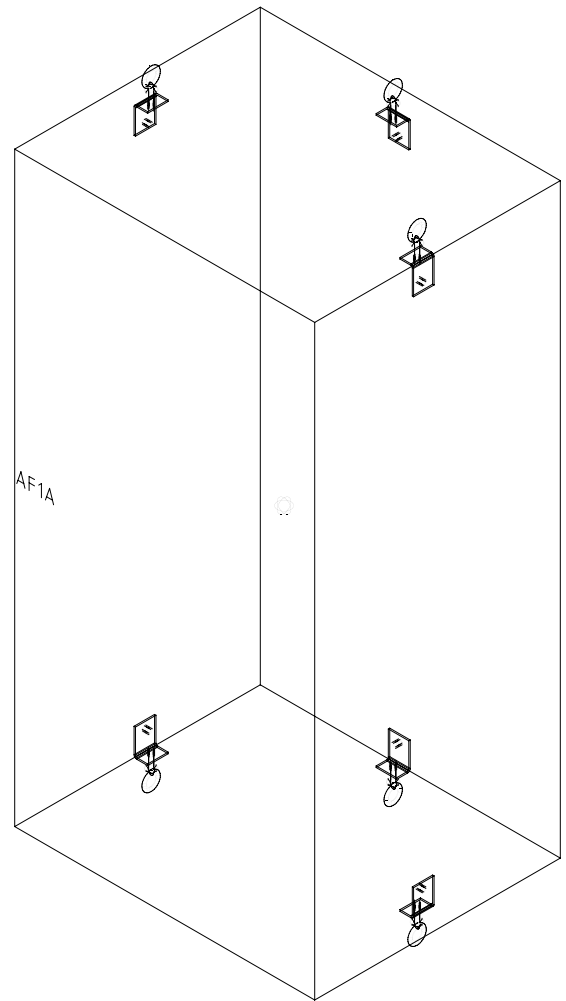


### Optional rigging points

⊕ = Center of Gravity



Side View



Top View

### Warning:

Mounting and rigging loudspeakers requires experienced professionals. Improperly installed loudspeakers can result in property damage, personal injury, death and/or liability to the installing contractor.

**F6 option includes flypoints as shown, plus 3 x 5/16"-18 forged shoulder eyebolts.**

BAG END Loudspeakers  
22272 Pepper Road  
Barrington, Illinois  
60010 USA  
Voice 847 382 4550  
Fax 847 382 4551  
www.bagend.com

