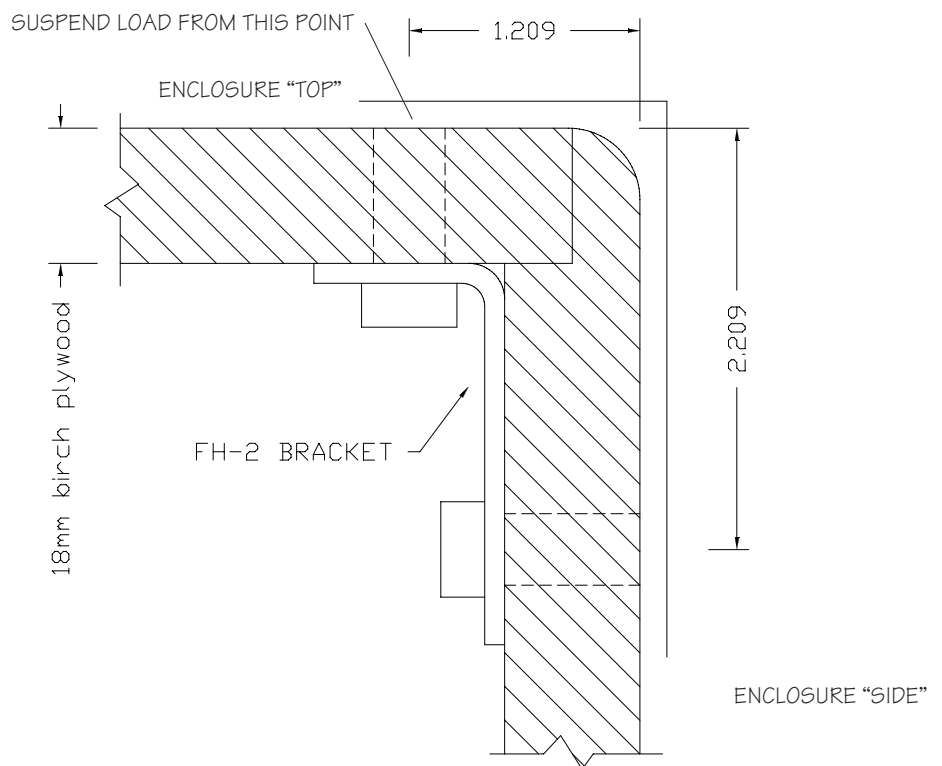


# BAG END

## FH-2 MOUNTING TEMPLATE

### T E C H N I C A L N O T E



#### HOW TO...

Carefully fold this template at the "FOLD HERE" line.

Position the folded template where you want it on the outside of the enclosure. The FH-2 bracket is 1.5" wide, so the hole centers should be more than 0.8" perpendicular to anything fastened to the inside of the enclosure, including the back, baffle, braces, et c.

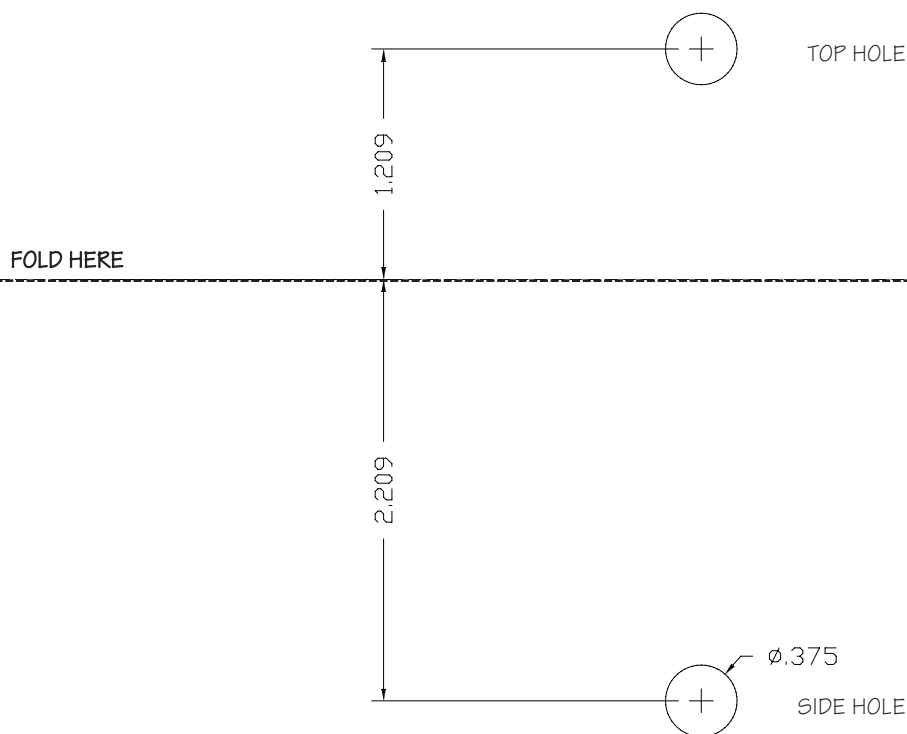
Note that you should not stretch the paper around the small radius at the edge of the enclosure.

Tape the template to the outside of the enclosure.

Use a center punch to mark the top and side hole centers.

Drill a .375" diameter hole at each mark. Take care to make the holes perpendicular to the enclosure.

Put the FH-2 bracket on the inside of the enclosure, line up the holes and screw in the 5/16"-18 hardware. Put the forged shoulder eyebolt in the top hole.



**BAG END Loudspeakers**  
22272 Pepper Road  
Barrington, Illinois  
60010 USA  
Voice 847 382 4550  
Fax 847 382 4551  
www.bagend.com

