



#### SYSTEM COMPONENTS

**Cabinet:**

3/4" 7-ply poplar plywood

**Drivers:**

1 - 15" bass/mid cone  
1 - 2" Titanium diaphragm  
high frequency driver

**Input Connectors:**

1 - Banana  
2 - 1/4" Phone  
2 - Neutrik Speakon NL4MP

**Standard Hardware:**

2 - Handles  
4 - Extruded aluminum clamps  
8 - Protective corners

#### ACOUSTIC AND ELECTRICAL

**System Type:**

2-way rear vented 2.4 ft<sup>3</sup>

**Impedance:**

8Ω

**Driver DCR**

Low 6.3Ω

High 6Ω

**Frequency Response:**

± 3dB 70 Hz to 18 kHz  
(4π Steradians)

**Sensitivity:**

103dB SPL/1 Watt/1 Meter

**Power Handling Capacity:**

200 W continuous sine wave  
800 W instantaneous peak

#### PHYSICAL

**Finish:**

Deep Red carpet

**Grille:**

16 gauge black vinyl coated  
perforated steel

**Dimensions:**

18.5"h x 18.5"w x 15.5"d  
47cm x 47cm x 39cm

**Weight:**

50 lbs.  
23kg

**Shipping Dimensions:**

21" x 21" x 18"  
53cm x 53cm x 46cm

**Shipping Weight:**

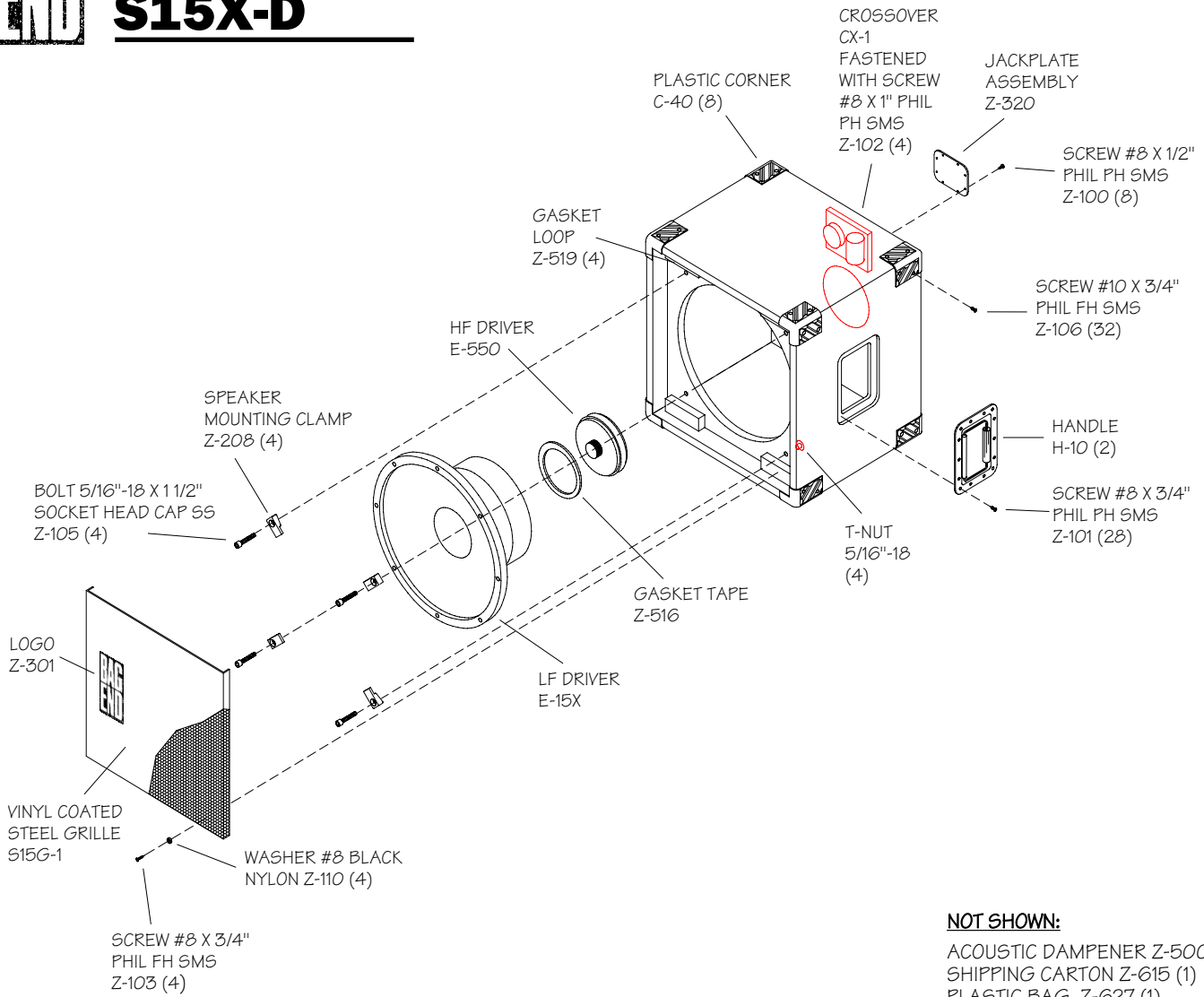
61 lbs.  
28kg



**BAG END Loudspeakers**  
22272 Pepper Road  
Barrington, IL  
60010 USA  
Voice 847 382 4550  
Fax 847 382 4551  
[www.bagend.com](http://www.bagend.com)



# S15X-D



**NOT SHOWN:**

- ACOUSTIC DAMPENERS Z-500 (5)
- SHIPPING CARTON Z-615 (1)
- PLASTIC BAG Z-627 (1)
- EDGE GUARD Z-630 (20)

**SYSTEM SCHEMATIC**

